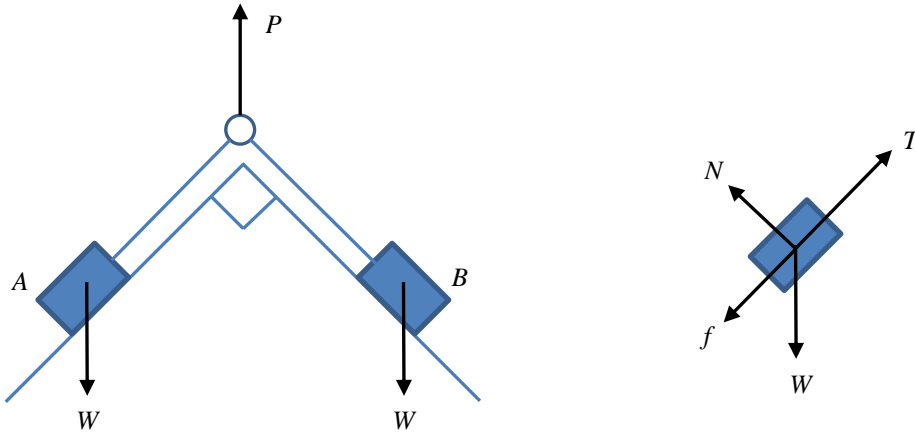


4. Blocks  $A$  and  $B$  are connected by two links as shown. The force  $P$  and coefficient of friction are independently and normally distributed with  $P \sim N(100, 4^2)$  N and  $\mu_s \sim N(0.35, 0.002^2)$ , respectively. Determine the probability that two blocks will start to move if  $A$  and  $B$  both have mass of 7 kg.



**Answer:**  $P = 0.9658$